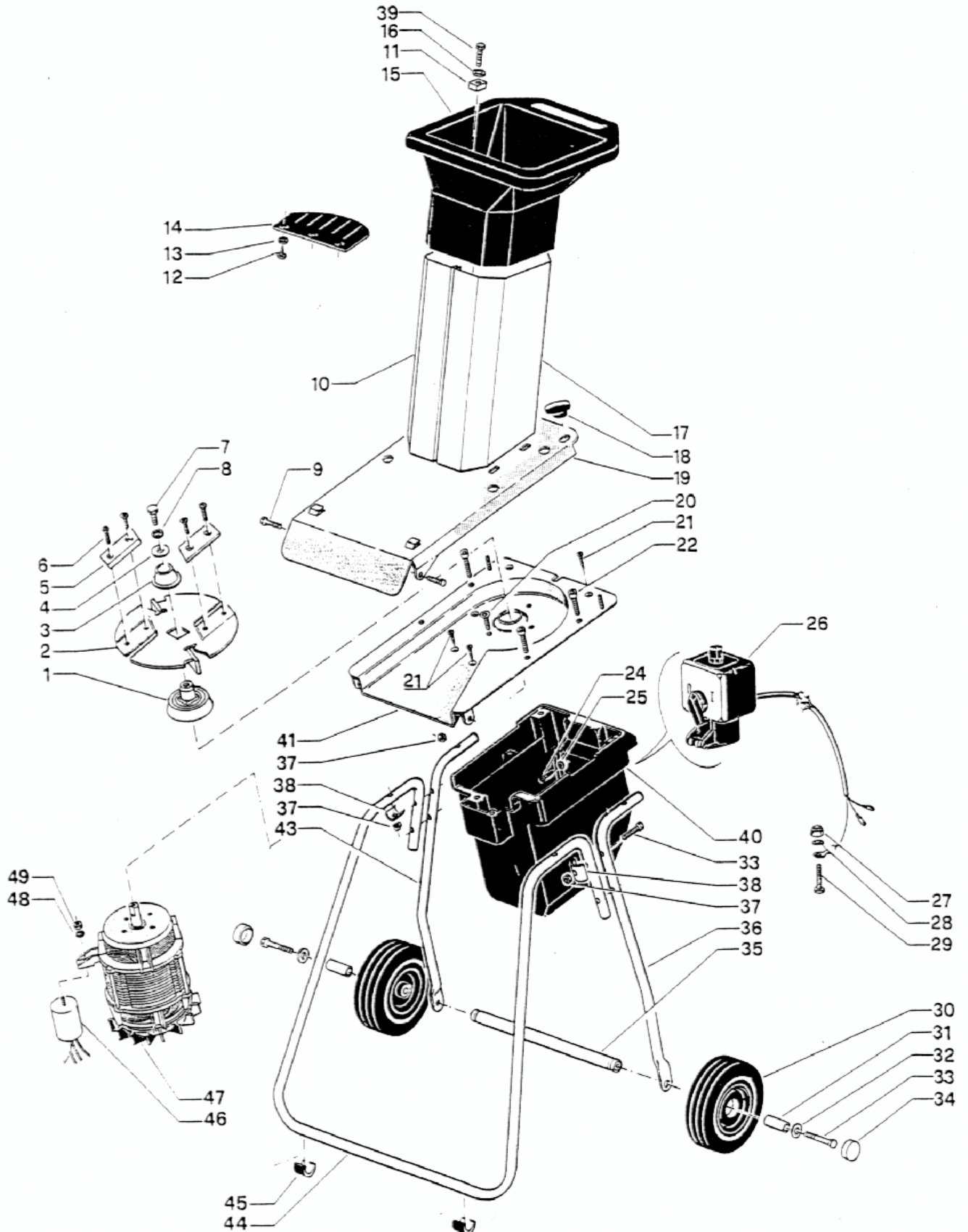




# Elektro Häcksler Super Cut 2200 W

Art. Nr.: 26035





# Elektro Häcksler Super Cut 2200 W

Art. Nr.: 26035

| POS.         | CODICE | Q.TÀ               | POS. | CODICE | Q.TÀ |
|--------------|--------|--------------------|------|--------|------|
| 1            | 261870 | 2                  | 41   | 362050 | 1    |
| 2            | 361860 | 1                  | 43   | 361950 | 1    |
| 3            | 261880 | 1                  | 44   | 374610 | 1    |
| 4            | 262010 | 1                  | 45   | 474640 | 2    |
| 5            | 261800 | 2                  | 46   | 262020 | 1    |
| 6            | 165650 | 4                  | 47   | 274180 | 1    |
| 7            | 140230 | 1                  | 48   | 145480 | 1    |
| 8            | 145480 | 1                  | 49   | 146410 | 1    |
| 9            | 165860 | 2                  |      |        |      |
| 10           | 474220 | 1                  |      |        |      |
| 11           | 279700 | 4                  |      |        |      |
| 12           | 164010 | 3                  |      |        |      |
| 13           | 340290 | 3                  |      |        |      |
| 14           | 261830 | 1                  |      |        |      |
| 15           | 474200 | 1                  |      |        |      |
| 16           | 144750 | 4                  |      |        |      |
| 17           | 474210 | 1                  |      |        |      |
| 18           | 274170 | 2                  |      |        |      |
| 19           | 374630 | 1                  |      |        |      |
| 20           | 165530 | 4                  |      |        |      |
| 21           | 165540 | 6                  |      |        |      |
| 22           | 165520 | 4                  |      |        |      |
| 24           | 142370 | 4                  |      |        |      |
| 25           | 146110 | 4                  |      |        |      |
| SG 262040 => | 26     | 262150 (SG1.5)     |      |        | 1    |
|              |        | 262160 (SG1.7/1.8) |      |        | 1    |
|              |        | 262170 (SG2.0/2.2) |      |        | 1    |
|              | 27     | 106440             |      |        | 1    |
|              | 28     | 142360             |      |        | 1    |
|              | 29     | 142760             |      |        | 1    |
|              | 30     | 260150             |      |        | 2    |
|              | 31     | 261970             |      |        | 2    |
|              | 32     | 144460             |      |        | 2    |
|              | 33     | 165510             |      |        | 2    |
|              | 34     | 246550             |      |        | 2    |
|              | 35     | 361960             |      |        | 1    |
|              | 36     | 361940             |      |        | 1    |
|              | 37     | 144450             |      |        | 10   |
|              | 38     | 362180             |      |        | 12   |
|              | 39     | 179690             |      |        | 4    |
|              | 40     | 461820             |      |        | 1    |