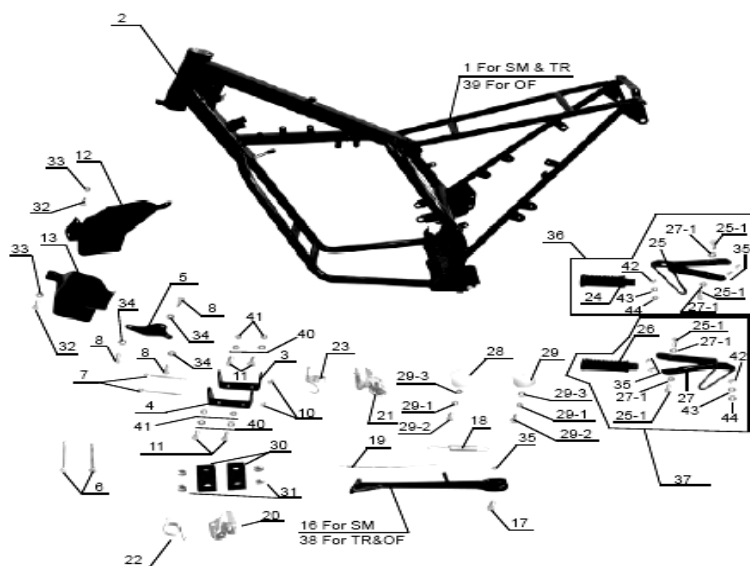
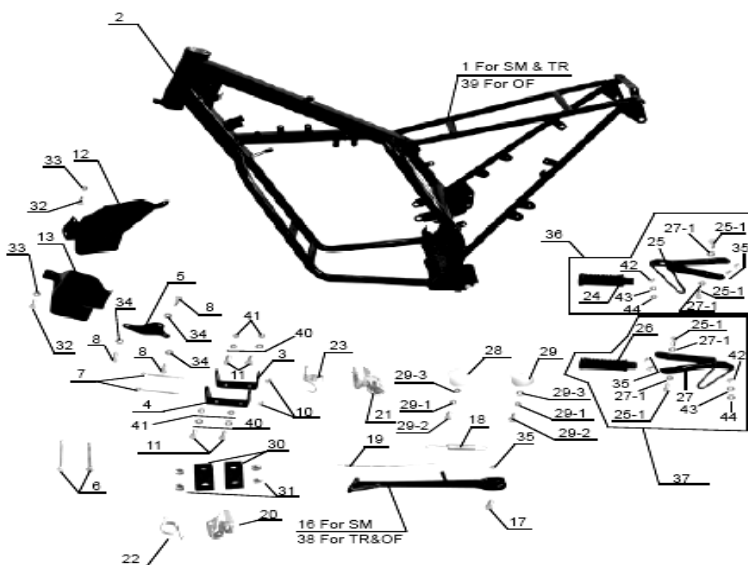




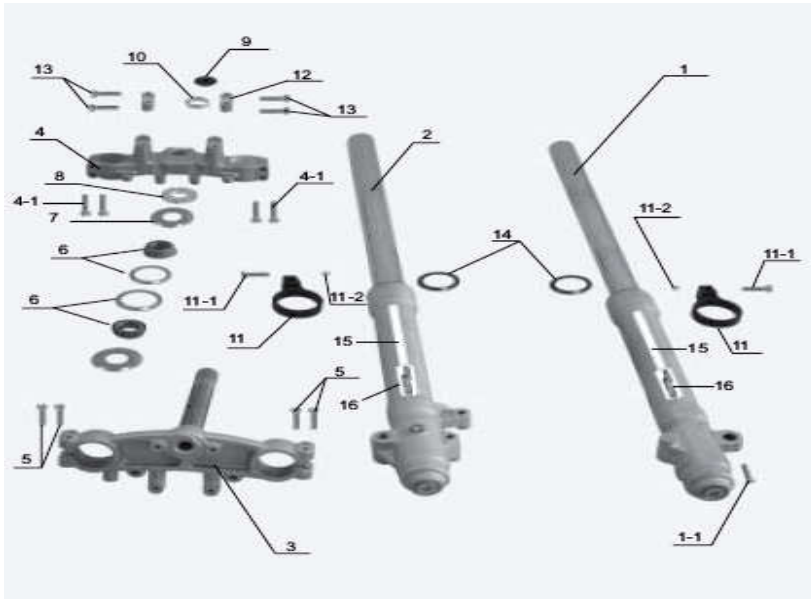
# **SKYTEAM ST 50 ERSATZTEILE HANDBUCH ST-50 SM / TR**



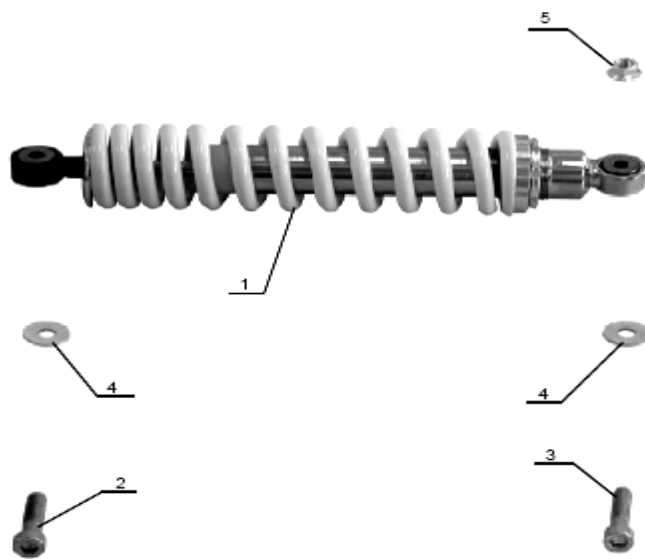
NO.	Component and Parts No.	English Name	Quantity
1	44100-Y1000	FRAME	1
2	41112-Y1000	ANTI-THEFT DEVICE	1
3	44111-Y1000	UPPER SUPPORTER	1
4	44112-Y1000	DOWN SUPPORTER	1
5	44121-Y1000	UPPER SUPPORTER	2
6	44141-Y1000	BOLT	2
7	44142-Y1000	BOLT	2
8	44143-Y1000	BOLT	3
9	GB6187-86 M8-Zn.DB	SELF-LOCKING NUT	5
10	GB618786M10x1.25-Zn.DB	SELF-LOCKING NUT	2
11	GB70-85 M8x30-Zn.DB	BOLT	4
12	41181-Y1000	RIGHT FENDER	1
13	41182-Y1000	LEFT FENDER	1
14	GB70-85 M6x55-Zn.DB	BOLT	2
15	GB6187-86 M6-Zn.DB	SELF-LOCKING NUT	2
16	42310-Y1000	SIDE STAND	1
17	42311-Y1000	STAND SCREW	1
18	42312-Y1000	STAND SPRING	1
19	42314-Y1000	STAND SPACER	1
20	43510-Y1000	LEFT FRONT FOOT SET	2
20-1	GB882-86 B8x40-Zn.DB	PIN	2
20-2	GB91-86 3.2x20-Zn.DB	COTTER PIN	2
20-3	GB97.1-85 8-140HV-Zn.DB	WASHER	2



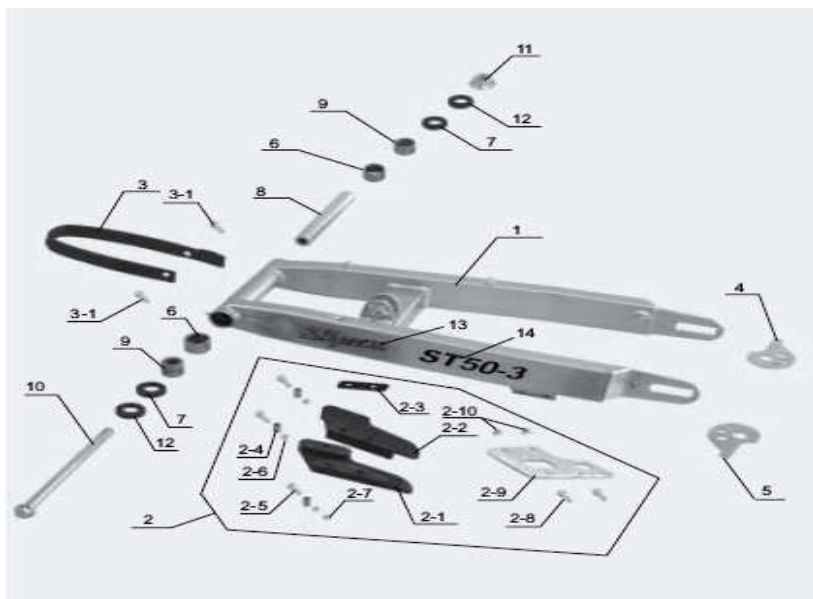
NO.	Component and Parts No.	English Name	Quantity
21	43520-Y1000	RIGHT FRONT FOOT SET	1
22	43511-Y1000	LEFT FRONT FOOT REST SPRING	1
23	43521-Y1000	RIGHT FRONT FOOT REST SPRING	1
24	43620-Y1000	RIGHT REAR FOOT SET	2
25	43610-Y1000	RIGHT REAR FOOT REAT SUPPORT	1
25-1	GB70-85 M6x20-Zn.DB	BOLT	2
26	43720-Y1000	LEFT REAR FOOT SET	2
27	43710-Y1000	LEFT REAR FOOT REST SUPPORT	1
27-1	81112-Y1000	BOLT	2
28	64531-Y1000	UPPER CHAIN TENSIONER ROLLER	2
29	64541-Y1000	UNDER CHAIN TENSIONER ROLLER	1
29-1	64532-Y1000	SPACER	1
29-2	GB70-85 M8x45-Zn.DH	BOLT	1
29-3	GB97.1-85 8-140HV-Zn.DB	WASHER	2
30	44114-Y1000	RUBBER WASHER	2
31	44115-Y1000	BUSH	4
32	GB70-85 M6x55-Zn.DH	BOLT	2
33	GB6187-86 M6-Zn.DH	SELF-LOCKING NUT	2
34	GB6187-86 M6-Zn.DB	SELF-LOCKING NUT	3
35	GB6187-85 M6-Zn.DB	SELF-LOCKING NUT	1
36	43600-Y1000	RIGHT REAR FOOT SET ASSY	1
37	43700-Y1000	LEFT REAR FOOT SET ASSY	1
38	42310-Y1000-1	SIDE STAND	1
39	44100-Y1000-1	FRAME	1
40	GB97.1-86 8-Zn.DB	WASHER	4
41	GB859-86 8-Zn.DB	LOCK WASHER	4
42	GB6170-86 M10x1.25-Zn.DB	NUT	2
43	GB97.1-85 10-Zn.DB	WASHER	2
44	GB859-8610-Zn.DB	LOCK WASHER	2



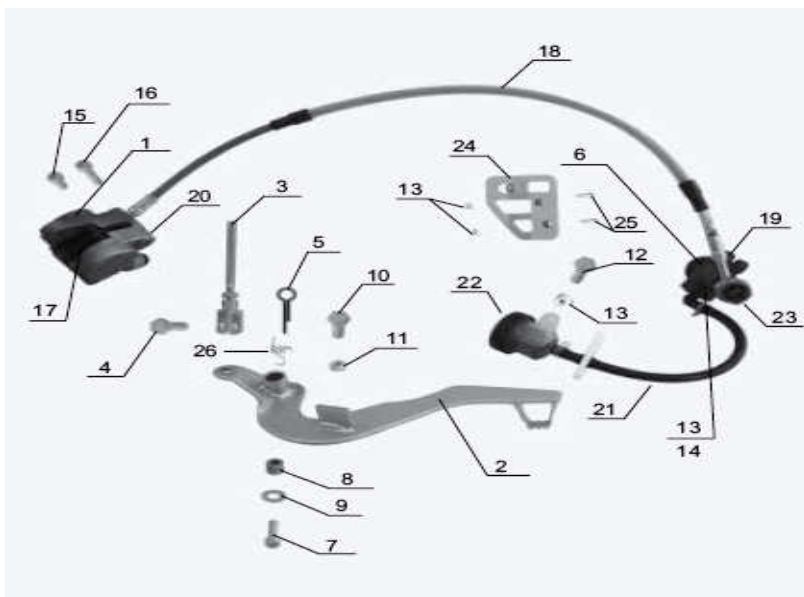
NO.	Component and Parts No.	English Name	Quantity
1	51160-18A00	RIGHT ARM ASSEMBLY	1
1-1	GB70-85 M6x35-Zn.DB	BOLT	2
2	51150-18A00	LEFT ARM ASSEMBLY	1
3	51410-Y1000	UNDER BRACKET	1
4	51310-Y1000	HANDLE CROWN	1
4-1	GB70-85 M8x45-Zn.DB	BOLT	4
5	GB70-85 M8x50-Zn.DB	BOLT	4
6	32005GB/T279-94	BEARING SET 32005	2
7	51614-Y1000	WASHER	2
8	51645-Y1000	NUT	1
9	51616-Y1000	RUBBER CAP	1
10	51617-Y1000	NUT	1
11	58211-Y1000	CLIP	2
11-1	GB70-85 M5x16-Zn.DB	BOLT	2
11-2	GB6170-86 M5-140HV-Zn. DB	NUT	2
12	56120-Y1000	UPPER HANDEBAR HOLDER	2
13	GB70-85 M6x30-Zn.DB	BOLT	4
14	51170-Y1000	OIL SEAL	2
15	90001-Y1000	STICKER	2
16	90002-Y1000	STICKER	2



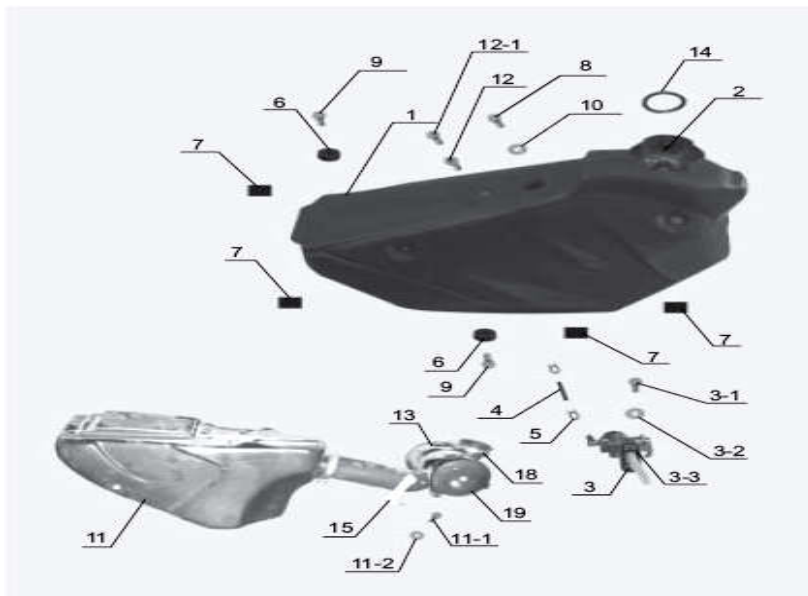
NO.	Component and Parts No.	English Name	Quantity
1	62100-Y1000	REAR SHOCK ABSORB	1
2	GB70-85 M10x1.25x50-Zn.DB	BOLT	1
3	GB70-85 M10x1.25x45-Zn.DB	BOLT	1
4	GB97.1-85 10-140HV-Zn.DB	WASHER	2
5	GB6187 M10x1.25-Zn.DB	SELF-LOCKING NUT	1



NO.	Component and Parts No.	English Name	Quantity
1	61100-18A00	SWINGARM	1
2	64520-Y1000	RUBBER BUSHING	1
2-1	64522-Y1000	RUBBER BUSHING(L)	1
2-2	64523-Y1000	RUBBER BUSHING(R)	1
2-3	64524-Y1000	LINKING PLATE	1
2-4	64525-Y1000	SPACER	3
2-5	GB819-85 M5x45-Zn.DH	SCREW	3
2-6	GB6170-86 M5-Zn.DH	NUT	3
2-7	GB97.1-85 5-140HV-Zn.DH	WASHER	1
2-8	GB819-85 M6x16-Zn.DH	SCREW	2
2-9	64521-Y1000	STAY	1
2-10	GB6187-86 M6-Zn. DB	SELF-LOCKING NUT	2
3	61273-Y1000	CHAIN SUPPORT	1
3-1	GB819-85 M8x14-Zn.DB	SCREW GB819-85MB-Zn.DB	2
4	61221-Y1000	RIGHT CHAIN PULLER	1
5	61222-Y1000	LEFT CHAIN PULLER	1
6	NK22/20	BEARING NK2220	2
7	61274-Y1000	OIL SEAL	2
8	61276-Y1000	SPACER	1
9	61275-Y1000	SPACER	2
10	61211-Y1000	SWING ARM AXLE	1
11	GB6187-86 M14x1.5-Zn.DB	SELF-LOCKING NUT	1
12	61277-Y1000	DUST COVER	2
13	90003-Y1000	STICKER	1
14	90004-Y1000	STICKER (ST50-3)	2

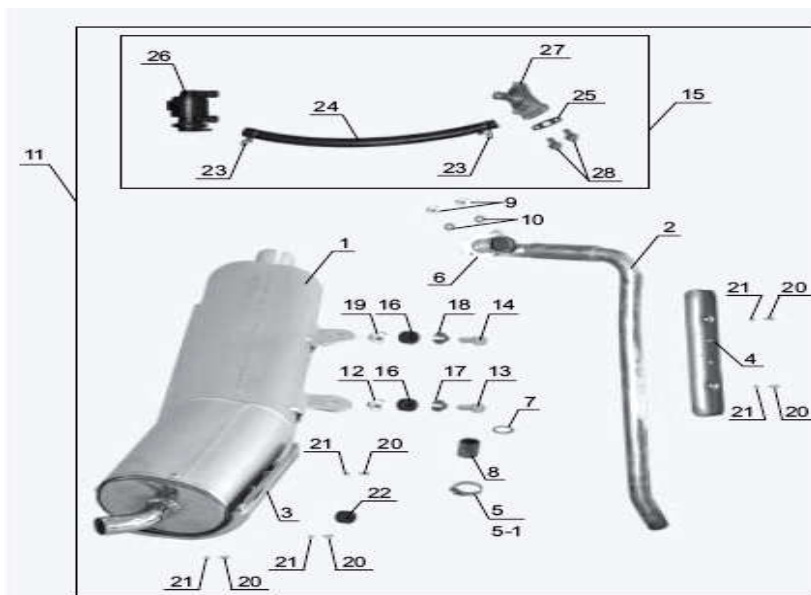


NO.	Component and Parts No.	English Name	Quantity
1	69000-Y1000	REAR BRAKE OIL CUP	1
2	43310-Y1000	BRAKE PADAL ASSY	1
3	43320-Y1000	TAPPET ASSY	1
4	GB882-86 B6x18-Zn DB	PIN	1
5	GB91-86 2x15	COTTER PIN	1
6	43331-Y1000	DUST SEAL COVER	1
7	GB70-85 M8x40-Zn DB	BOLT	1
8	43412-Y1000	SPACER	1
9	GB97.1-85 8-140HV-Zn DB	WASHER	1
10	GB5783 M6x25-Zn DB	BOLT	1
11	GB6170-86 M6-Zn.DB	LOCK NUT	1
12	GB70-85 M6x12-Zn DB	BOLT	1
13	GB6187-86 M6-Zn DB	Self locking nut	5
14	GB70-85 M6x20-Zn.DB	BOLT	2
15	GB61876-86 M8x16(9.8)	BOLT	1
16	GB61876-86 M8x40(9.8)	BOLT	1
17	69003-Y1000	BRAKE PAD	2
18	69009-Y1000	REAR BRAKE HOSE	1
19	69008-Y1000	REAR BRAKE PUMP	1
20	69006-Y1000	REAR BRAKE CALIPER	1
21	69007-Y1000	OIL TANK HOSE	1
22	69005-Y1000	REAR BRAKE OIL CUP	1
23	69004-Y1000	REAR BRAKE SWITCH	1
24	69010-Y1000	PLATE MASTER CYLINDER	1
25	GB70-85 M6x25-Zn. DB	BOLT	2
26	43121-18A00	SPRING	1

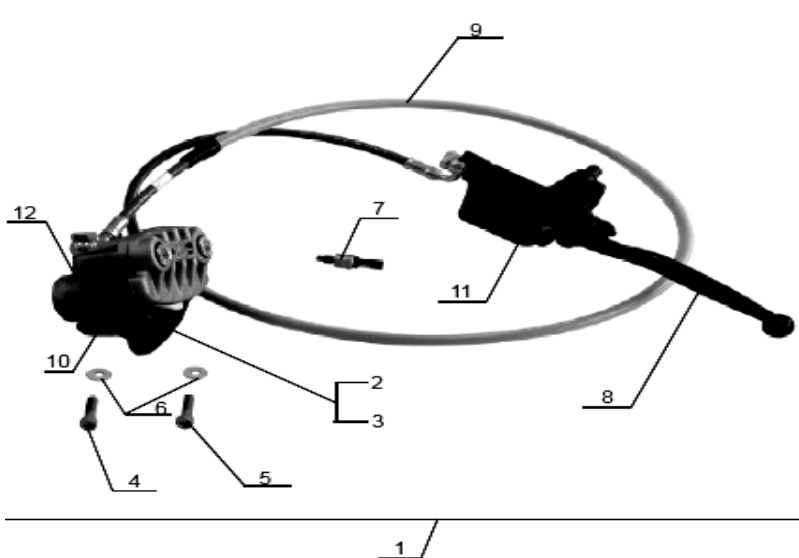


NO.	Component and Parts No.	English Name	Quantity
1	44110-Y1000	FUEL TANK	1
2	44300-Y1000	FUEL TANK CAP	1
3	44200-Y1000	FUEL COCK	1
3-1	GB70-85 M5x14-Zn.DB	SCREW	2
3-2	44313-Y1000	WASHER (Nylon)	2
3-3	44314-Y1000	SEAL	1
4	44312-Y1000	HOSE	1
5	44312-1-Y1000	CLIP	2
6	44101-Y1000	RUBBER PAD	2
7	44102-Y1000	RUBBER PAD	4
8	GB70-85 M8x50-Zn.DB	SCREW	1
9	GB70-85 M8x16-Zn.DB	SCREW	2
10	GB97.1-85 8-140HV-Zn.DB	WASHER	1
11	13700-Y1000	AIR FILTER ASSY SILENCER	1
11-1	GB70-85 M6x16-Zn DB	BOLT	1
11-2	GB96-85 6-140HV-Zn.DB	WASHER	1
12	45101-Y1000	CLIP	1
12-1	GB70-85 M6x20-Zn DB	BOLT	1
13	13710-18A00	AIR FILTER ELEMENT	1
14	44201-K1250	SEAL	1
15	13720-18A00	PLATE	1
16	13730-18A00	RUBBER PIPE	1
17	13731-18A00	CLIP	1
18	13740-18A00	CLIP	1
19	13700-18A00	AIR FILTER ASSY	1

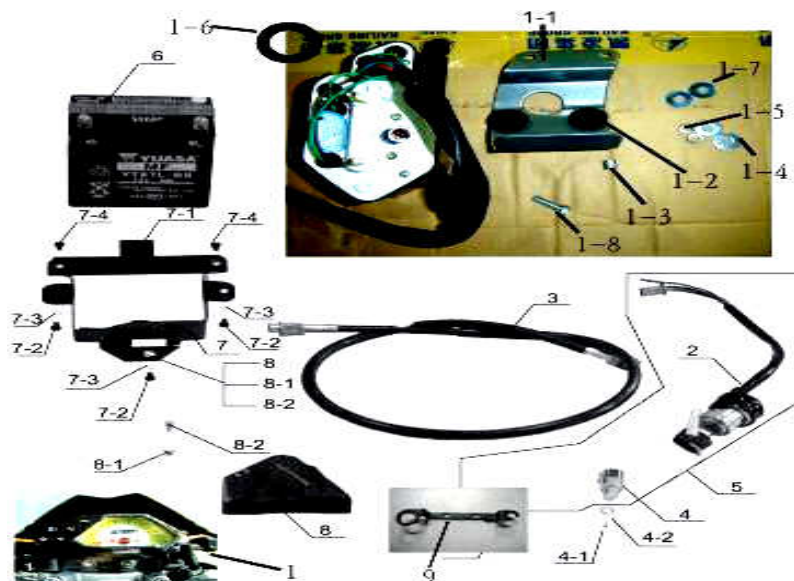




NO.	Component and Parts No.	English Name	Quantity
1	14310-Y1000	SILENCER	1
2	14330-18A00	EXHAUST PIPE	1
3	14320-Y1000	SILENCER FENDER	1
4	14340-18A00	FENDER EXHAUST	1
5	14312-Y1000	CLIP	1
5-1	GB5783 M8x25	BOLT	1
6	14311-18A00	PLATE	1
7	14313-Y1000	RING	1
8	14319-18A00	RING	1
9	14316-Y1000	NUT	2
10	GB859-87 6-Zn.DB	LOCK WASHER	2
11	14300-18A00	SILENCER ASSY	1
12	GB6187-86 M6-Zn.DB	SELF-LOCKING NUT	1
13	GB70-85 M6x30-Zn.DB	BOLT	1
14	GB70-85 M8x30	BOLT	1
15	13790-18A00	REINFORCE AIR SYSTEM	1
16	46123-Z1000	RUBBER	2
17	46125-Y1000	WASHER	1
18	46125-Z1000	WASHER	1
19	GB6187-86 M8-Zn. DB	Self locking nut	1
20	14318-Y1000	BOLT M6x10	5
21	14341-Y1000	GASKET	5
22	14315-Y1000	RUBBER	1
23	13750-Y1000	CLIP	2
24	13730-18A00	RUBBER PIPE	1
25	13780-Y1000	GASKET	1
26	13710-Z1000	CONTRAL VALVE	1
27	13720-Y1000	MONOMIAL VALVE	1
28	GB70-85 M6x20	BOLT	2



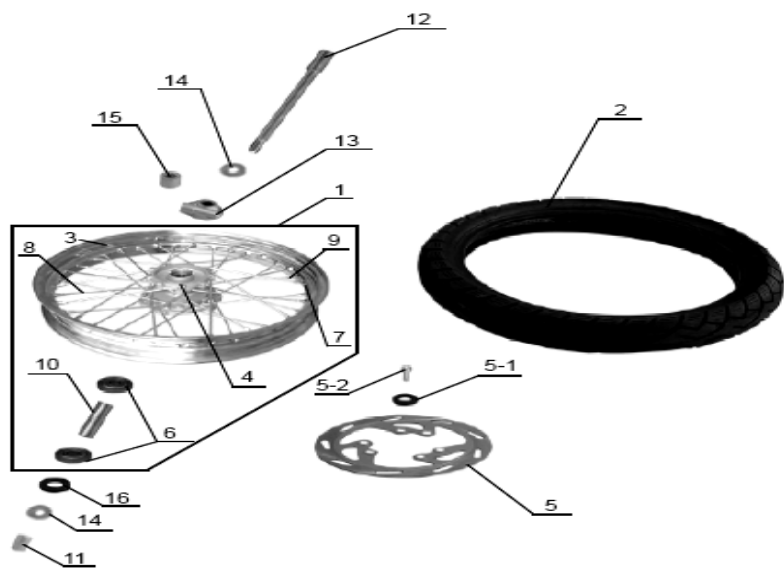
NO.	Component and Parts No.	English Name	Quantity
1	59000-Y1000	FRONT BRAKE ASSY	1
2	59111-Y1000	HOLDER	1
3	GB70-85 M8x14-Zn DH(9.8)	BOLT	2
4	GB70-85 M8x35-Zn DH(9.8)	BOLT	1
5	GB70-85 M8x50-Zn DH(9.8)	BOLT	1
6	GB97.1-85 8-140HV-Zn DH	WASHER	2
7	59285-Y1000	FRONT BRAKE SWITCH	1
8	59286-Y1000	FRONT BRAKE LEVER	1
9	59287-Y1000	BRAKE HOSE	1
10	59003-Y1000	BRAKE PAD	2
11	59008-Y1000	FRONT BRAKE CYLINDER	1
12	59007-Y1000	FRONT BRAKE CALIPER	1



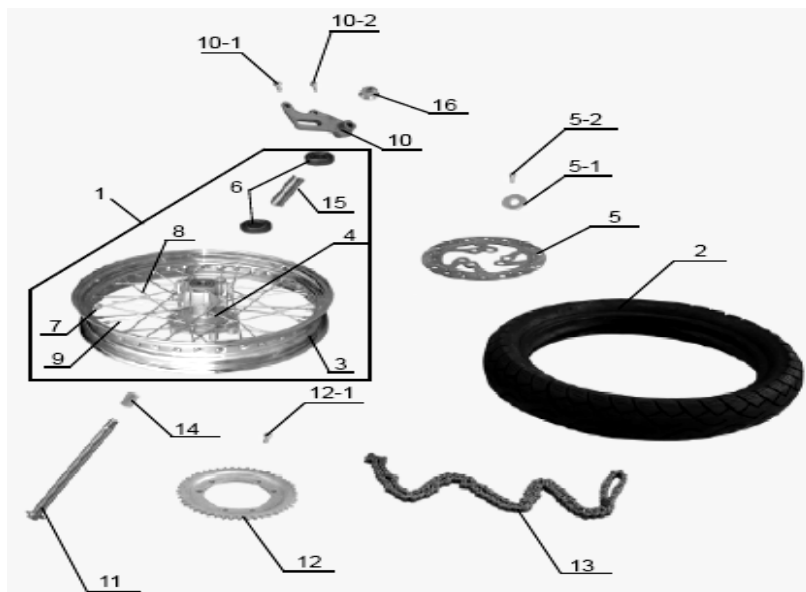
NO.	Component and Parts No.	English Name	Quantity
1	34100-Y1000	PANEL CONTROL	1
	34100-Y1000-1	PANEL CONTROL	1
1-1	GB70-85 M6x20-Zn.DB	BOLT	2
1-2	GB96-85 6-140HV-Zn.DB	WASHER	2
1-3	34555-Y1000	WASHER RUB	2
1-4	34556-Y1000	SPACER	2
2	37100-Y1000	MAIN SWITCH	1
3	58210-Y1000	SPEEDOMETER CABLE	1
4	37300-Y1000	STEERING LOCK	1
4-1	GB827-86 4x8	RIVER	1
4-2	GB96-85 5-140HV-Zn.DB	WASHER	1
5	46320-Y1000	HELMET LOCK	1
5-1	GB818-85M6x10-Zn.DB	SCREW	1
6	33610-Y1000	BATTERY	1
7	33620-Y1000	BATTERY HOLDER	1
7-1	33611-Y1000	BATTERY BAND	1
7-2	GB70-85 M6x12HV-Zn.DB	BOLT	5
7-3	GB97.1-85 6x140HV-Zn.DB	WASHER	3
8	33612-Y1000	BATTERY COVER	1
8-1	33613-Y1000	NUT	1
8-2	GB70-85 M6x16-Zn.DB	BOLT	1
9	37000-Y1000	KIT TO LOCK	1



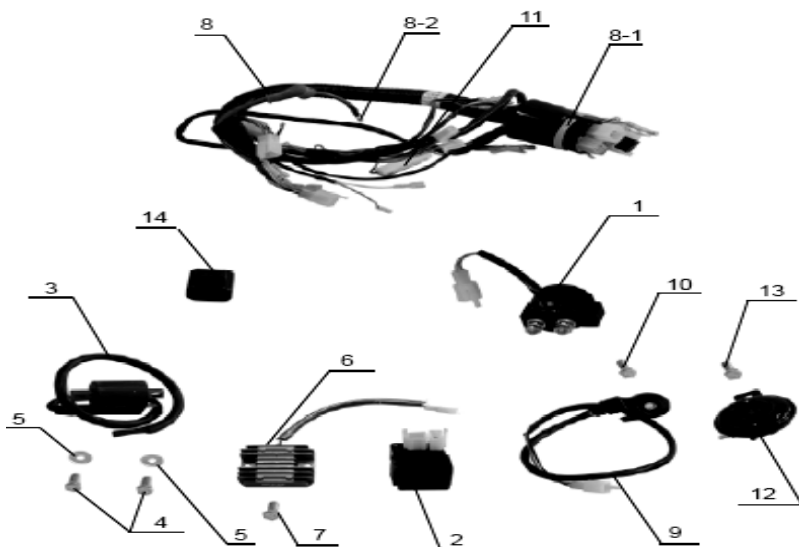
NO.	Component and Parts No.	English Name	Quantity
1	35110-15H00	HEAD LIGHT COVER	1
1-1	35100-15H00	HEAD LIGHT	1
1-2	35103-15H00	HEAD LIGHT COVER ADJUSTING NUT	1
1-3	35104-15H00	HEAD LIGHT COVER ADJUSTING SPRING	1
1-4	35120-15H00	HEAD LIGHT RUBBER SUPPORT	4
1-5	GB818-85 M4*30-ZN. DB	SCREW	1
1-6	GB845-85 ST4.8*16-C-H-Zn. DB	SELF TAPPING SCREW	1
1-7	GB97.1-85 4-140HV-Zn. DB	WASHER	2
3	35710-Y1000	TAIL LIGHT ASSY	1
3-1	GB6170-86 M6-Zn. DB	NUT	2
3-2	GB97.1-86 6-Zn. DB	WASHER	2
3-3	GB859-87 6-Zn. DB	LOCK WASHER	2
4	35210-15H20	LEFT TURNING LIGHT	1
5	35310-15H20	RUGHT TURNING LIGHT	1
5-1	GB96-85 10-140HV-Zn. DB	WASHER	4
5-2	GB6170-86 M10*1.25-Zn. DB	NUT	4
5-3	GB859-86 87 10-Zn. DB	LOCK WASHER	4
7	45511-Y1000	TAIL COVER	1
8	45530-Y1000	REAR REGISTRATION PLATE SUPPORT	1
8-1	GB70-85 M6*20-Zn. DB	BOLT	2
8-2	GB96-85 6-140HV-Zn. DH	WASHER	2
9	45513-Y1000	REAR FENDER REINFORCEMENT	1
10	46210-Y1020	REAR REFLECTOR	1
11	38160-Y1000	REAR REFLECTOR	1
11-1	GB6170-86 M5-Zn. DB	NUT	1
11-2	GB96-85 5-Zn. DB	WASHER	1
11-3	GB859-87 5-Zn. DB	WASHER	1
13	38110-Y1000	REFLECTOR	2
14	38111-Y1000	REFLECTOR SUPPORT	2
15	89051-15H00	STICKER	1
16	GB70-85 M8*16-Zn. DB	INNER HEX BOLT	1
17	GB70-85 M8*40-Zn. DB	INNER HEX BOLT	2
18	GB70-85 M8*20-Zn. DB	INNER HEX BOLT	2
19	GB97.1-85 8-140HV-Zn. DB	WASHER	5
20	35410-15H20	REAR DIRECTION LAMP ASSY LH	5
21	35510-15H20	REAR DIRECTION LAMP ASSY RH	5
22	GB70-85 M8*25-Zn. DB	INNER HEX BOLT	2
23	35121-15H10	HEAD LAMP RUBBER TRANSITION BUSHING	2
24	35712-Y1000	REAR LAMP HOLDER	1
25	GB845-85 ST4.2*13-C-H-Zn. DB	SELF TAPPING SCREW	2
26	35713-Y1000	REAR LAMP HOLDER COVER	1
27	GB6187-86 M6-Zn. DB	SELF LOCKING HEX NUT	2



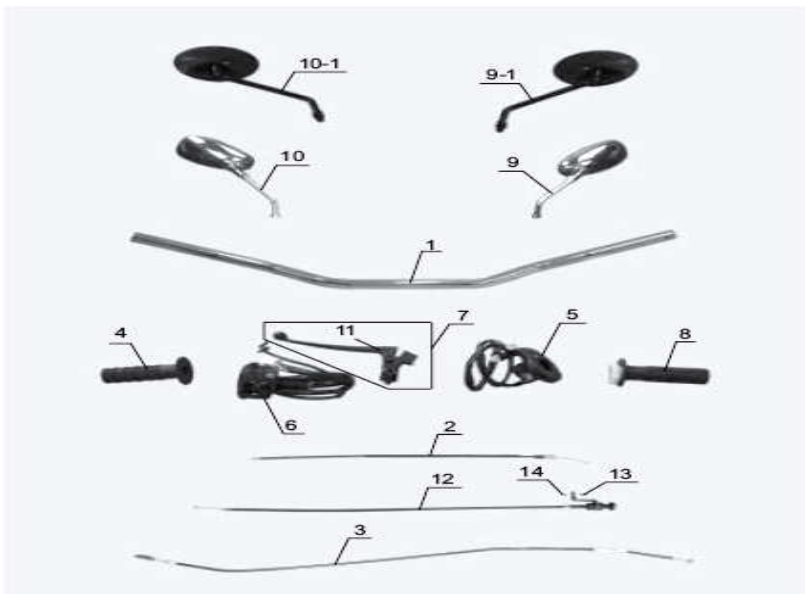
NO.	Component and Parts No.	English Name	Quantity
1	55000-Y1000(2.5-17)	WHEEL RIM ASSEMBLY	1
2	55500-Y1000(100/80-17)	TIRE	1
	55600-Y1000(100/80-17)	INNER TUBE	1
	55335-Y1000(100/80-17)	BAND RIM	1
3	55310-Y1000(2.5-17)	RIM	1
4	55320-Y1000	WHEEL HUB	1
5	59001-Y1000	BRAKE DISC	1
5-1	59002-Y1000	BUSHING	6
5-2	81113-Y1000	BOLT	6
6	80202 GB278-82	BEARING 80202 GB278-82	2
7	55341-Y1000	SPOKE NUT	36
8	55352-Y1000(2.5-17)	SPOKE(R)	18
9	55352-Y1001(2.5-17)	SPOKE(L)	18
10	55332-Y1000	SPACER	1
11	55331-Y1000	SPACER(L)	1
12	54711-Y1000	AXLE	1
13	54600-Y1000	SPEED METER CLUTCH	1
14	54712-Y1000	WASHER	1
15	54555-Y1000	SPACER(R)	1
16	54556-Y1000	OIL SEAL	1



NO.	Component and Parts No.	English Name	Quantity
1	65000-Y1000(3.0-17)	WHEEL RIM ASSY	1
2	65500-Y1000(120/80-17)	TIRE	1
	65600-Y1000(120/80-17)	INNER TUBE	1
	55335-Y1000(120/80-17)	BAND RIM	1
3	65310-Y1000	RIM	1
4	65320-Y1000	WHEEL HUB	1
5	691001-Y1000	BRAKE DISC	1
5-1	59002-Y1000	BUSHING	6
5-2	81113-Y1000	BOLT	6
12-1	GB5782-86 M8x30-Zn.DB	BOLT	6
6	80103 GB278-82	BEARING	2
7	55341-Y1000	SPOKE NUT	36
8	55352-Y1000(3.0-17)	SPOKE(R)	18
9	55352-Y1001(3.0-17)	SPOKE(L)	18
10	65330-Y1000	CALIPER BRAKE SUPPORT	1
10-1	GB70-85 M8x16-Zn.DB(9.8)	BOLT	1
10-2	GB70-85 M8x40-Zn.DB(9.8)	BOLT	1
11	64711-Y1000	WHEEL AXLE	1
12	64511-Y1000	DRIVE SPROCKET Z=47	1
13	08-MB-132 GB/T14312-93	DRIVE CHAIN	1
14	65331-Y1000	SPACER(L)	1
15	65332-Y1000	SPACER	1
16	GB6187-86 M16x1.5-Zn.DB	SELF-LOCKING M16x1.5	1

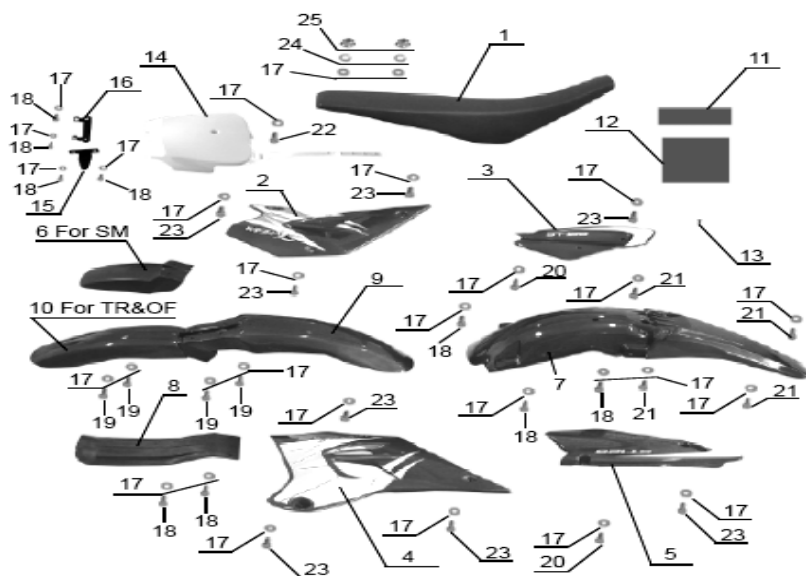


NO.	Component and Parts No.	English Name	Quantity
1	32900-Y1000-1	CDI	1
2	31800-Y1000-1	RELAY ,START	1
3	33400-Y1000-1	IGNITION COIL ASSY	1
4	GB818-85M6x16-Zn.DB	SCREW	2
5	GB859-876-Zn.DB	LOCK WASHER	2
6	32800-Y1000-1	RECTIFIER	1
7	GB70-85 M6x12-Zn.DB	BOLT	2
8	36610-Y1000	WIRE HARNESS ASSY	1
	36610-Y1000-1	WIRE HARNESS ASSY	1
8-1	36621-Y1000	CLIP	4
8-2	GB70-85 M6x12-Zn.DB	SCREW	1
9	42313-Y1000	SIDE STAND SWITCH	1
10	42315-Y1000	BOLT	1
11	33614-Y1000	FUSE	1
12	38500-Y1000	HORN ASSY	1
13	GB70-85 M6x10-Zn.DB	BOLT	1
14	38620-Y1000	RELAY,WINKER	1

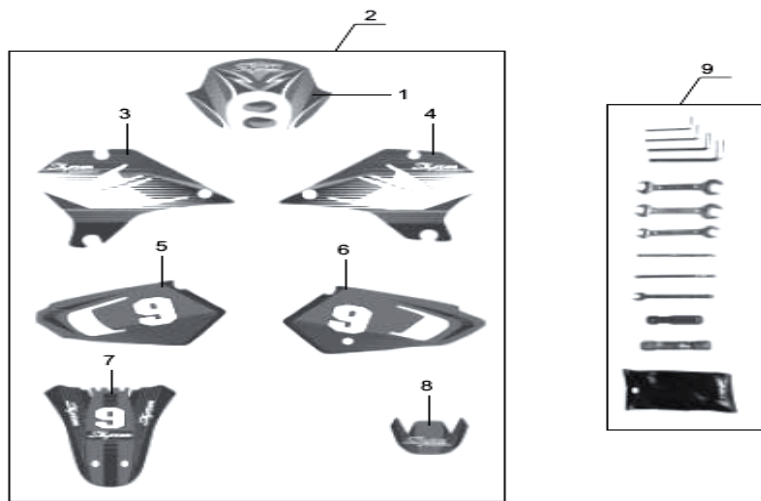


NO.	Component and Parts No.	English Name	Quantity
1	56110-Y1000	HANDLE BAR	1
2	58300-18A00	THROTTLE CABLE	1
3	58400-18A00	CLUTCH CABLE	1
4	57210-K1250-2	LEFT GRIP	1
5	57410-K1250-2	RIGHT HANDLE SWITCH	1
6	57310-K1250-2	LEFT HANDLE SWITCH	1
7	57600-K1250-2	CLUTCH LEVER ASSY	1
8	57110-K1250-2	THROTTLE HANDLE ASSY	1
9	56500-18A00	REAR MIRROR(L)	1
10	56600-18A00	REAR MIRROR(R)	1
11	57601-K1250-2	CLUTCH LEVER	1
12	58500-18A00	CHOKE CABLE	1
13	GB70-85 M6x25	BOLT	1
14	GB6187-86 M6	NUT	1





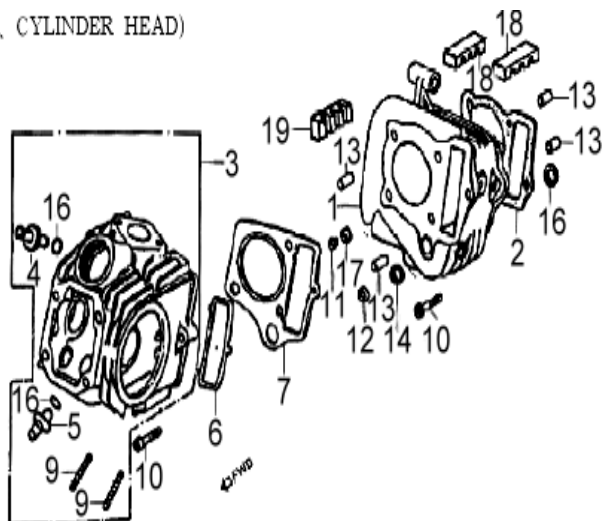
NO.	Component and Parts No.	English Name	Quantity
1	45100-Y1000	SEAT ASSY	1
2	47211-Y1000	FUEL TANK COVER(R)	1
3	47411-Y1000	RIGHT SIDE FENDER	1
4	47111-Y1000	FUEL TANK COVER(L)	1
5	47311-Y1000	LEFT SIDE FENDER	1
6	53120-Y1000	1/2 FRONT FENDER SM	1
7	45514-Y1000	REAR FENDER	1
8	45512-Y1000	REAR FENDER	1
9	53110-Y1000	FRONT FENDER	1
10	53130-Y1000	FRONT FENDER REAR	1
11	88111-Y1000	NAME PLATE	1
12	88112-Y1000	ANTR-TAMPERING PLATE	1
13	GB827-86 2x5-L4	RIVER	4
14	35981-Y1000	CODE PLATE	1
15	35982-Y1000	UPPER SUPPORT	1
16	35983-Y1000	DOUWN SUPPORT	1
17	GB96-85 6-Zn.DB	WASHER	27
18	GB70-85 M6x16-Zn.DB	BOLT	9
19	GB70-85 M6x20-Zn.DB	BOLT	4
20	GB70-85 M6x40-Zn.DB	BOLT	2
21	GB70-85 M6x25-Zn.DB	BOLT	4
22	GB5787 M6x14-Zn.DB	BOLT	1
23	47131-K1250(M6x14)	BOLT	8
24	GB859-86 6-Zn.DB	SELF-LOCKING NUT	2
25	GB6170-86 M6-Zn.DB	NUT	2



**PARTS NO. 1-9 COLOURS: RED BLUE ORANGE PINK BLACK**

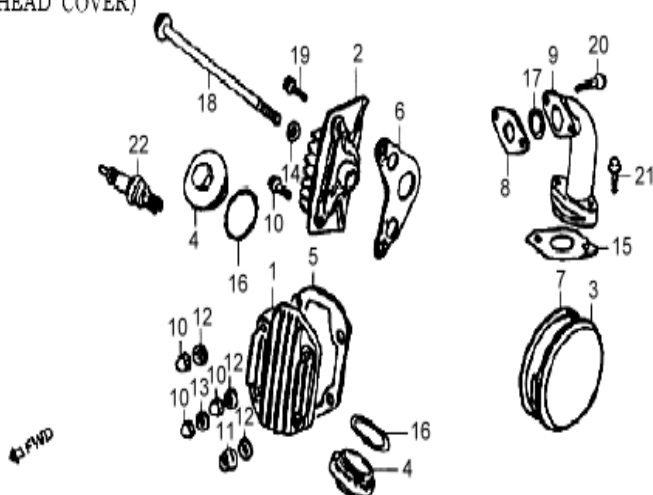
NO.	Component and Parts No.	English Name	Quantity
1	90006-Y1000	STICKER	1
2	90000-Y1000	STICKER	1
3	90008-Y1000	STICKER	1
4	90009-Y1000	STICKER	1
5	90010-Y1000	STICKER	1
6	90011-Y1000	STICKER	1
7	90012-Y1000	STICKER	1
8	90013-Y1000	STICKER	1
9	82100-Y1000	TOOL	1

(CYLINDER, CYLINDER HEAD)

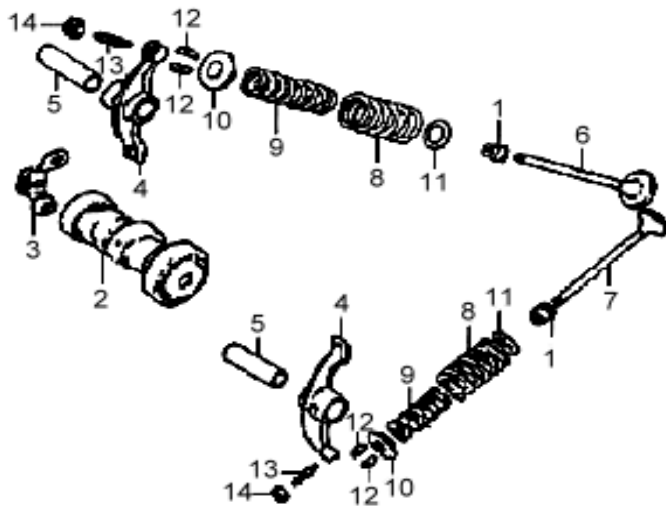


NO.	Component and Parts No.	English Name	Quantity
1	147FMF-2.01-2	CYLINDER	1
1-1	139FMA-2.01-2	CYLINDER(50CC)	1
2	147FMF-2.01-1	GASKET CYLINDER	1
2-1	139FMA-2.01-1	GASKET CYLINDER(50CC)	1
3	147FMF-2.01.04	HEAD COMP CYLINDER	1
3-1	139FMA-2.01.04	HEAD COMP CYLINDER(50CC)	1
4	01.01.01.04	GUIDE IN VALVE	1
5	01.01.01.05	GUIDE EX VALVE	1
7	147FMF-2.01.01	GASKET CYLINDER	1
7-1	139FMA-2.01.01	GASKET CYLINDER (50CC)	1
8	01.01.04.03	SEAL CAM CHAIN CHAMBER	1
9	01.01.01.07	BOLT STUD 6x32	1
10	01.01.00.30	BOLT HEX 6x23	1
11	01.01.00.33	COLLAR 9.5mm	1
12	01.01.00.27	COLLAR 14.8mm	1
13	01.01.00.32	PIN DOWEL 8x14	4
14	01.01.00.23	O-RING 14.5x2	1
15	01.01.00.29	PACKING RUBBER 11.5x2.1	1
16	01.01.01.06	O-RING 9x1.6	2
17	01.01.00.34	GASKET RUBBER 9x1.35	1
18	01.01.00.98	BLOCK VIBRATION REDUCTION A	2
19	01.01.00.99	BLOCK VIBRATION REDUCTION B	1

(CYLINDER, HEAD COVER)

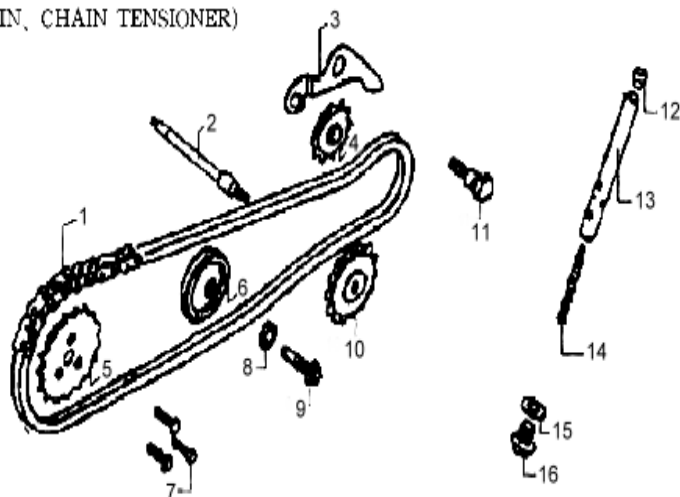


NO.	Component and Parts No.	English Name	Quantity
1	LC152FMH-2.01-40	COVER CYLINDER HEAD	1
2	LC152FMH-2.01.05	COVER R CYLINDER HEAD SIDE	1
3	07.01.00.20	COVER L CYLINDER HEAD SIDE	1
4	01.01.00.08	CAP TAPPET ADJUSTING HOLE	2
5	LC152FMH-2.01-39	GASKET CYLINDER HEAD COVER	1
6	LC152FMH-2.01-35	GASKET R CYLINDER HEAD SIDE COVER	1
7	01.01.00.21	GASKET L CYLINDER HEAD SIDE COVER	1
8	01.01.00.04-3	INSULATE	1
8-1	01.01.00.04-1	INSULATE(50CC)	1
9	02.01.00.05-3	PIPE IN	1
9-1	02.01.00.05-1	PIPE IN(50CC)	1
10	01.01.00.43	NUT CAP 6mm	3
11	01.01.00.43	NUT FLANGE A6mm	1
12	01.01.00.41	WASHER SEALING 6mm	3
13	01.01.00.42	WASHER A SEALING 6mm	1
14	01.01.00.36	WASHER SEALING 6.5mm	1
15	01.01.00.06-3	GASKET PIPE IN	1
15-1	01.01.00.06-1	GASKET PIPE IN(50CC)	1
16	01.01.00.07	O-RING 30.8x3.2	2
17	01.01.00.03	O-RING 25x2.4	1
18	01.01.00.38	BLOCK FLANGE 6x110	1
19	LC152FMH-2.01-2	BOLT FLANGE 6x20	2
20	LC152FMH-2.01-1	BOLT HEX 6x22	2
21	LC152FMH-2.01.04	BOLT FLANGE 6x28	2
22	01.01.01.04	PLUG SPARK(1137)	1

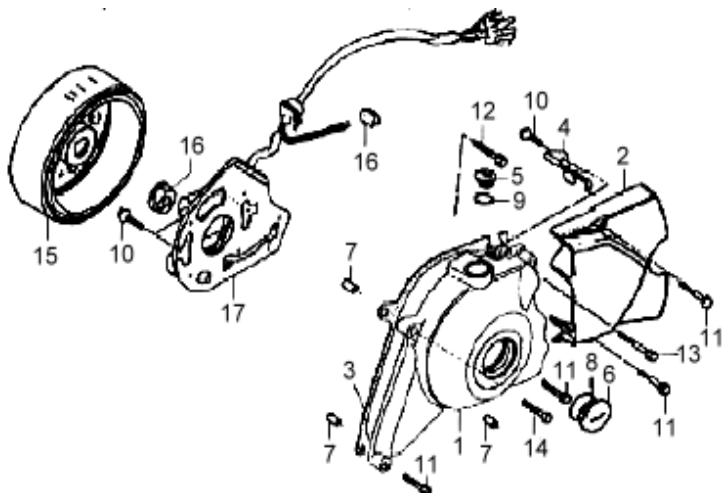


NO.	Component and Parts No.	English Name	Quantity
1	01.01.05.00	SEAL VALVE STEM	2
2	07.01.03.00	CAM SHAFT COMP	1
3	07.01.00.45	VALVE STOPPER	1
4	01.01.00.11	ROCKER ARM	2
13	01.01.00.10	SCREW ADJUSTING	2
14	01.01.00.09	NUT TAPPET ADJUSTING	2
5	01.01.00.12	SHAFT ROCKER ARM	2
6	01.01.00.13-3	VALVE INLET	1
6-1	01.01.00.13-1	VALVE INLET(50CC)	1
7	01.01.00.14-3	VALVE EXHAUST	1
7-1	01.01.00.14-1	VALVE EXHAUST(50CC)	1
8	01.01.00.16	SPRING VALVE OUTER	2
9	01.01.00.17	SPRING VALVE INNER	2
10	01.01.00.18	RETAINER	2
11	01.01.00.15	SEAT OUTER	2
12	01.01.00.19	COTTER VALVE	4

(CHAIN, CHAIN TENSIONER)

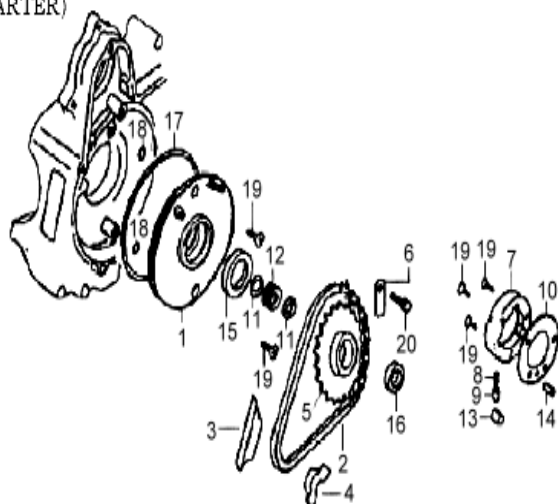


NO.	Component and Parts No.	English Name	Quantity
1	01.01.00.44	CHAIN CAM	1
2	01.04.00.07	SPINDLE CAM CHAIN GUIDE SPROCKET	1
3	01.04.09.00	ARM COMP CAM CHAIN TENSIONER	1
4	01.04.10.00	ROLLER CAM CHAIN TENSIONER	1
5	01.01.00.22	SPROCKET CAM	1
6	01.01.06.01	ROLLER COMP CAM CHAIN GUIDE	1
7	01.01.00.23	BOLT KNOCK 5x12	3
8	01.01.00.25	WASHER SEALING 8mm	1
9	01.01.00.24	PIN CAM CHAIN GUIDE ROLLER	1
10	01.04.05.00	SPROCKET CAM CHAIN GUIDE	1
11	01.04.00.25	PIVOT CAM CHAIN TENSIONER	1
12	01.04.00.16	HEAD CAM CHAIN TENSIONER PUSH ROD	1
13	01.04.07.00	ROD COMP CAM CHAIN TENSIONER PUSH	1
14	01.04.00.15	SPRING CAM CHAIN TENSIONER	1
15	01.04.00.14	WASHER SEALING 14mm	1
16	01.04.00.13	BOLT SEATING 14x1.5	1



NO.	Component and Parts No.	English Name	Quantity
1	02.02.06.00	COVER L CRANKCASE	1
2	02.02.00.01	COVER L CRANKCASE RR	1
3	02.02.06.06	GASKET L GRAKCASE	1
4	02.09.00.01	CLAMPER WIRE HARNESS	1
5	02.02.06.04	CAP B	1
6	02.02.06.02	CAP A	1
7	01.01.00.31	PIN DOWEL 8x12	2
8	02.02.06.03	O-RING 27x2.0	1
9	02.02.06.05	O-RING 13.8x2.5	1
10	GB18-86	BOLT,FLANGE 6x16	3
11	01.00.00.01	BOLT,FLANGE 6x28	3
12	02.00.00.03	BOLT,FLANGE 6x32	1
13	01.04.00.21	BOLT,FLANGE 6x50	1
14	02.00.00.02	BOLT,FLANGE 6x70	1
15	02.09.07.01	FLYWHEEL COMP	1
16	02.09.01.99	RUBBER NEUTRAL SWITCH CORD	1
17	02.09.01.00	STATOR COMP	1
18	02.09.01.98	NUT FLANGE 10mm	1

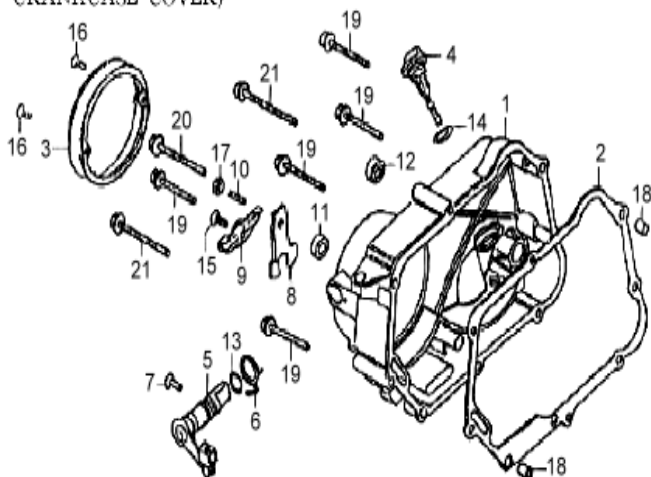
(ELECTRIC STARTER)



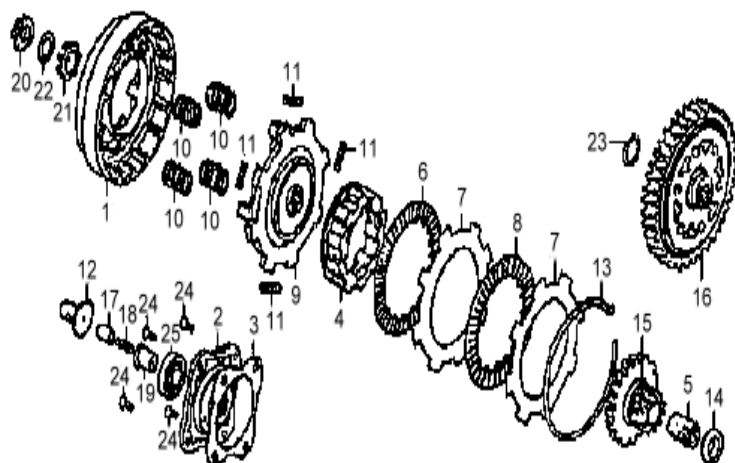
NO.	Component and Parts No.	English Name	Quantity
1	02.04.15.01	PLATE OIL SEPARATOR	1
2	02.00.04.00	START CHAIN	1
3	02.04.02.04	PLATE GUIDE CHAIN	1
4	02.04.02.05	PLATE PROTECT CHAIN	1
5	02.00.01.00	START CHAIN COMP	1
6	02.07.01.10	PLATE SET CHAIN	1
7	02.00.03.00	STARTER CLUTCH OUTER ASSY	1
8	02.00.03.01	SPRING CLUTCH ROLLER	3
9	02.00.03.02	PIN SPRING	3
10	02.00.03.08	SIDE PLATE STARTER CLUTCH	1
13	02.00.03.03	CLUTCH ROLLER 10x10	3
14	02.00.03.04	PIN 5x11.8	1
11	9243/23.1	CIRCLIP 23mm	2
12	8x10III+3/30 GB4661-84	NEEDLE BEARING 19x23x13	1
15	02.04.15.02	OIL SEAL 30x42x4.5	1
16	01.09.02.00	OIL SEAL 18.9x28x5	1
17	01.09.01.02	O-RING 107x2	1
18	01.04.00.08	O-RING 6x1.7	2
19	GB819-86	SCREW M6x16	3
20	GB818-86	SCREW M6x10	1



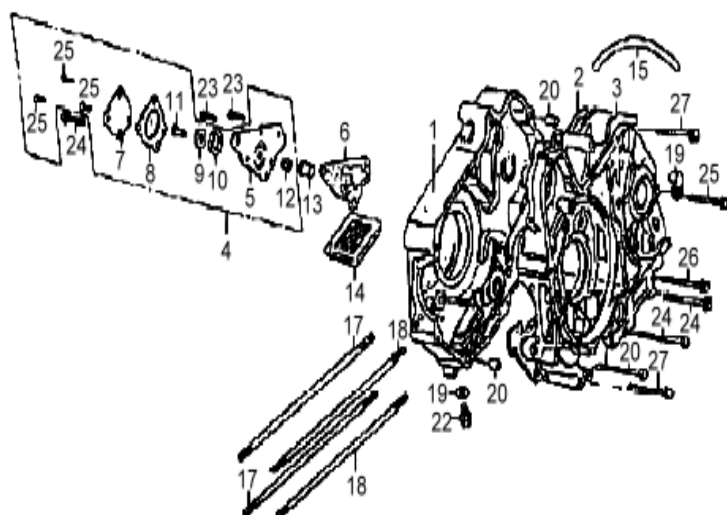
(RIGHT CRANKCASE COVER)



NO.	Component and Parts No.	English Name	Quantity
1	LX147FM-I.07.01	COVER COMP, R. CRANKCASE	1
2	LX147FM.07-2	GASKET R. COVER	1
3	LX150FM.07-6	COVER CLUTCH	1
4	LX150FM-I.07-11	OIL LEVEL METER	1
5	LX150FM-I.07.02	TAPPET	1
6	LX147FM.07-3	TAPPET SPRING	1
7	LX147FM.07-5	TAPPET PIN	1
8	LX147FM.07-8	PLATE	1
9	LX147FM.07-10	PLATE	1
10	LX147FM.07-9	ADJUSTING SCREW	1
11	LX147FM.07.04	SEAL RING	1
12	LX147FM.07.05	SEAL RING	1
13	LX147FM.07-4	O-RING	1
14	LX147FM.07-12	O-RING	1
15	GB819-85	SCREW M6 X 16	1
16	GB819-85	SCREW M5 X 16	2
17	GB6172-86	NUT	1
18	LX147FM.01-31	PIN	2
19	JH70.20016	BOLT M6 X 40	5
20	JH70.20017	BOLT M6 X 80	1
21	JH70.20018	BOLT M6 X 65	2

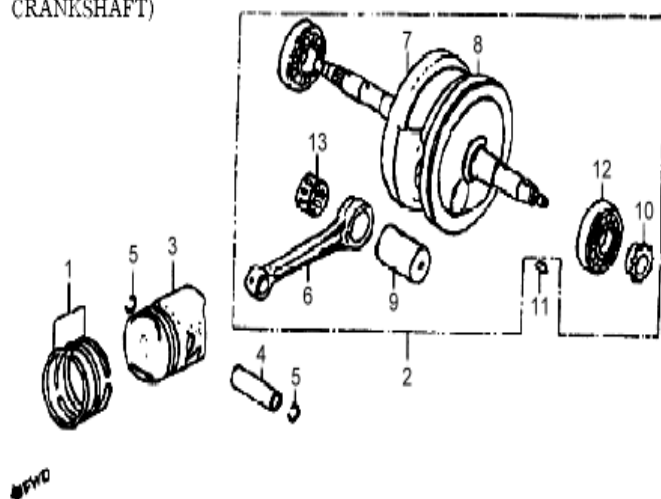


NO.	Component and Parts No.	English Name	Quantity
1	LX147FM.06-9	CLUTCH COVER	1
4	LX147FM.06-4	DRIVING GEAR COVER	1
6	LX147FM.06.01	FRICION PLATE	2
7	LX147FM.06-7	UP PLATE	1
8	LX147FM.06-5	DOWN PLATE	1
9	LX147FM.06-8	DRIVING GEAR	1
10	LX147FM.06-10	SPRING	4
11	LX147FM.06-19	DAMPER SPRING	4
13	LX147FM.06-6	SPRING WASHER	1
2	LX147FM.06-15	PLATE, CLUTCH LIFTER	1
3	LX147FM.06-14	GASKET	1
5	LX147FM.06-2	BUSH	1
12	LX147FM.07.03	CLUTCH LEVER	1
14	LX147FM.06-1	WASHER	1
15	LX147FM.05.03	DRIVEN GEAR COMP	1
16	LX147FM.06-3	DRIVING GEAR	1
17	LX147FM.06-17	OIL PIPE IN	1
18	LX147FM.06-18	SPRING	1
19	LX147FM.06-16	GUIDE PIPE	1
20	LX147FM.06-11	NUT	1
21	LX147FM.06-13	WASHER THRUST	1
22	LX147FM.06-12	WASHER LOCK	1
23	LX147FM.05.01-6	CIRCLIP	1
24	GB819-85	SCREW	4
25	GB276-82	BEARING REDIAL BALL 100	1

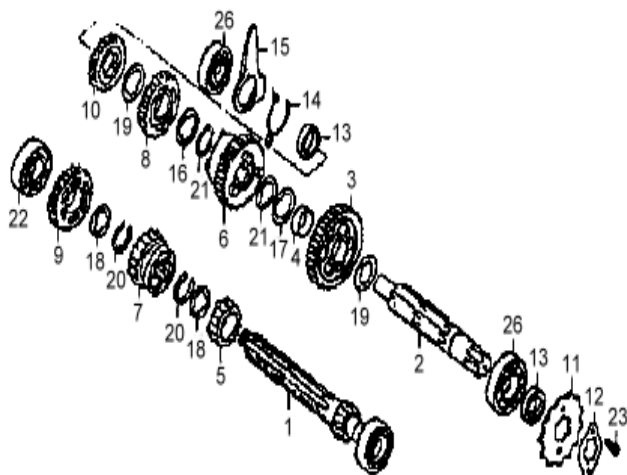


NO.	Component and Parts No.	English Name	Quantity
1	101102C-3 (90CC)	CRANKCASE COMP R	1
1-1	101102C-1(50CC)	CRANKCASE COMP R	1
2	01.04.00.01-3	GASKET CRANKCASE	1
2-1	01.04.00.01-1(50CC)	GASKET CRANKCASE	1
3	101002C-3	CRANKCASE COMP L	1
3-1	101002C-1(50CC)	CRANKCASE COMP L	1
4	01.04.06.00	PUMP ASSY OIL	1
5	01.04.00.10	GASKET OIL PUMP BODY	1
6	01.04.06.01	BODY OIL PUMP	1
7	01.04.06.04	COVER OIL PUMP	1
8	01.04.06.05	GASKET OIL PUMP COVER	1
9	01.04.06.06	ROTOR OIL PUMP INNER	1
10	01.04.06.07	ROTOR OIL PUMP OUTER	1
11	01.04.06.03	DRIVESHAFT OIL PUMP	1
12	01.04.06.02	PIN OIL PUMP LOCK	1
25	GB818-86	SCREW 6x10	3
13	01.04.00.09	PIVOT OIL PUMP	1
14	01.04.04.00	SCREEN OIL FILTER	1
15	01.04.00.24	TUBE BREATHER	1
16	01.04.00.28	CLAMPER TUBE	1
17	01.04.00.07	BOLT A CYLINDER STUD	2
18	01.04.00.26	BOLT B CYLINDER STUD	2
19	01.04.00.12	WASEHR DRAIN PLUG	1
20	01.04.00.18	PIN DOWEL 10x14	2
22	01.04.00.11	BOLT DRAIN 12x1.5	1
23	GB818-86	SCREW 6x16	2
24	GB818-86	SCREW 6x22	1
26	01.04.00.21	BOLT FLANGE 6x50	1
27	01.04.00.19	BOLT FLANGE 6x60	2
28	01.04.00.17	BOLT FLANGE 6x65	4

(PISTON, CRANKSHAFT)

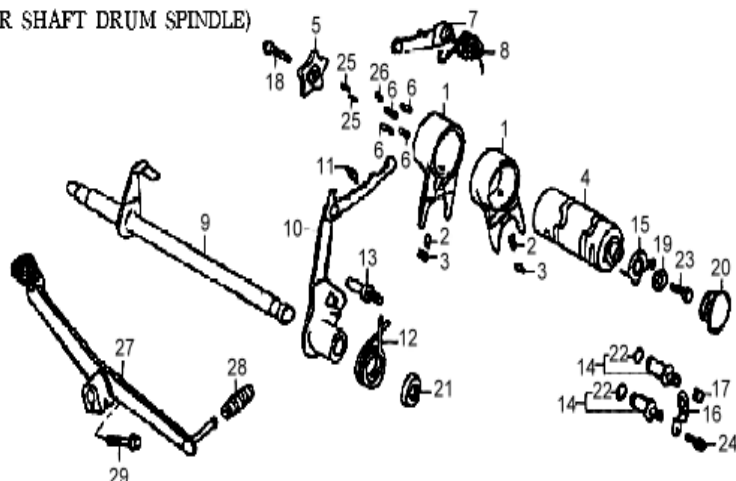


NO.	Component and Parts No.	English Name	Quantity
1	05.03.01.08-3	RING SET PISTON	1
	05.03.01.09-3		
	05.03.01.10-3		
1-1	05.03.01.08-1	RING SET PISTON(50CC)	1
	05.03.01.09-1		
	05.03.01.10-1		
2	07.03.01.00-3	CRANSHAFT COMP	1
2-1	07.03.01.00-1	CRANSHAFT COMP(50CC)	1
3	05.03.01.09-3	PISTON	1
3-1	05.03.01.09-1	PISTON(50CC)	1
4	01.03.01.05-3	PIN PISTON	1
4-1	01.03.01.05-1	PIN PISTON(50CC)	1
5	01.03.01.04	CLIP PISTON PIN	2
6-1	05.03.01.06-1	ROD CONNECTING(50CC)	1
7-1	07.03.01.11-1	CRANKSHAFT R(50CC)	1
8-1	07.03.01.02-1	CRANKSHAFT L(50CC)	1
9-1	05.03.01.10-1	PIN CRANK(50CC)	1
10-1	01.03.01.03-1	SPROCKET TIMING(50CC)	1
11-1	01.03.01.01-1	KEY WOODRUFF(50CC)	1
12-1	D304 GB276-82-1	BEARING RADIAL BALL 6304(50CC)	2
13-1	9243/23.1-1	NEEDLE BEARING (50CC)	1

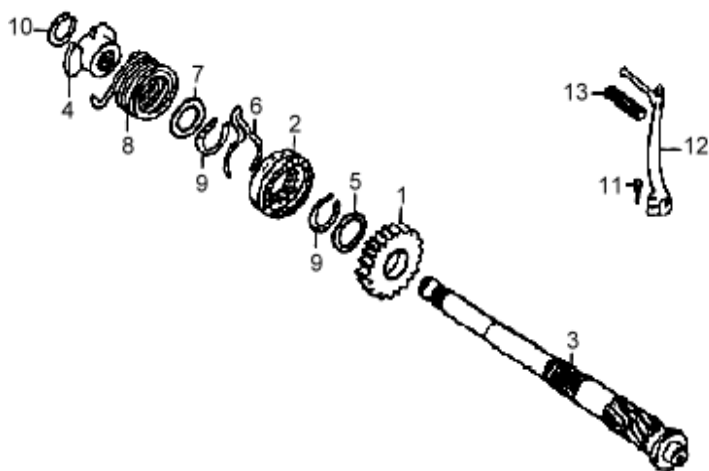


NO.	Component and Parts No.	English Name	Quantity
1	01.06.02.02	MAINSHAFT	1
5	07.06.02.03	GEAR MAINSHAFT SECOND	1
7	07.06.02.04	GEAR MAINSHAFT THRID	1
9	07.06.02.05	GEAR MAINSHAFT FOURTH	1
18	01.06.01.03	WASHER SPLINE 17mm	2
20	01.06.01.06	CIR CLIP 17mm	2
2	07.06.01.05	COUNTERSHAFT	1
3	07.06.01.02	GEAR COUNTERSHAFT LOW	1
4	07.06.01.01	BUSH 20x9	1
6	07.06.01.04	GEAR COUNTERSHAFT SECOND	1
8	07.06.01.08	GEAR COUNTERSHAFT THIRD	1
10	07.06.01.10	GEAR COUNTERSHAFT FOURTH	1
16	07.06.01.13	WASHER THRUST 17mm	1
17	07.06.01.07	WASHER SPLINE 20mm	1
19	07.06.01.07	WASHER SPLINE 20mm	2
21	07.06.01.06	CIR CLIP 20mm	2
11	01.06.00.01-3	SPROCKET DRICVE	1
11-1	01.06.00.01-1	SPROCKET DRICVE(50CC,Z=13)	1
12	01.06.00.02	PLATE DRIVE SPROCKET FIXING	1
13	07.06.01.14	BUSH	1
14	07.06.01.11	SPRING	1
15	07.06.01.12	STOPPER	1
22	01.04.14.00	OIL SEAL 17x29x5	1
23	GB5782-86	BOLT HEX 6x8	2
24	GB276-82	BEARING RADIAL BALL 6001	1
25	GB276-82	BEARING RADIAL BALL 6201	1
26	GB276-82	BEARING RADIAL BALL 6203	2

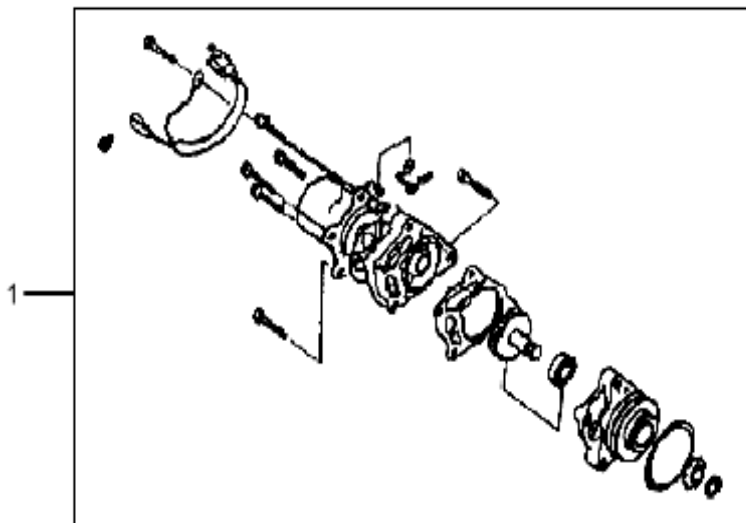
(GEAR SHAFT DRUM SPINDLE)



NO.	Component and Parts No.	English Name	Quantity
1	01.06.04.04	FORK GEARSHIFT	2
2	01.06.04.01	PIN GEARSHIFT FORK GUIDE	2
3	01.06.04.03	CLIP GEARSHIFT FORK GUIDE PIN	2
4	07.06.04.02	DRUM GEARSHIFT	1
5	07.06.04.06	PLATE GEARSHIFT DRUM STOPPER	1
6	07.06.00.03	PIN GEARSHIFT DRUM	4
15	07.06.04.05	ROTOR SWITCH	1
19	01.04.00.05	WASHER GEARSHIFT DRUM SIDE	1
25	140089	ROLLER 3x8.5	2
26	140088	ROLLER 4x10	1
7	07.04.03.00	STOPPER COMP GEARSHIFT DRUM	1
8	07.04.00.03	SPRING GEARSHIFT DRUM STOPPER	1
9	07.07.01.01-3	GEARSHIFT	1
10	07.07.01.00-3	SPINDLE COMP GEARSHIFT	1
11	01.07.01.06	SPRING GEARSHIFT ARM	1
12	01.07.01.07	SPRING SHIFT RETURN SPRING	1
13	01.04.00.04	PIN SHIFT RETURN SPRING	1
9-1	07.07.01.01-1	GEARSHIFT (50CC)	1
10-1	07.07.01.00-1	SPINDLE COMP GEARSHIFT (50CC)	1
11	01.07.01.06	SPRING GEARSHIFT ARM	1
12	01.07.01.07	SPRING SHIFT RETURN SPRING	1
13	01.04.00.04	PIN SHIFT RETURN SPRING	1
14	01.04.08.00	CONTACT ASSY SWITCH	2
16	07.04.00.23	PLATE CONTACT FIXING	1
17	140099	CAP SWITCH	1
18	GB5787-86	BOLT DOWEL 6x16	1
20	01.04.00.22	PLUG RUBBER	1
21	01.04.13.00	OIL SEAL 11.6x24x10	1
22	01.04.08.01	O-RING 7x1.7	2
23	GB5782-86	BOLT HEX 6x16	1
24	GB5782-86	SCREW FLANGE 6x12	1
27	07.07.02.00	PEDAL GEAR CHANGE	1
28	140087	RUBBER CHANGE PEDAL	1
29	GB5782-86	BOLT HEX 6x20	1

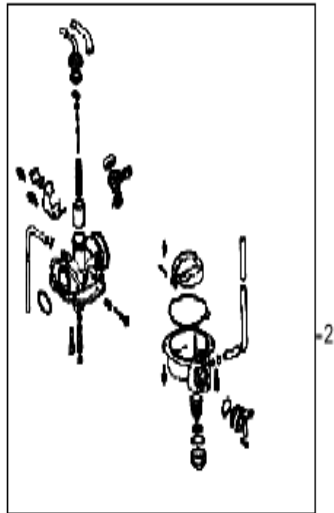
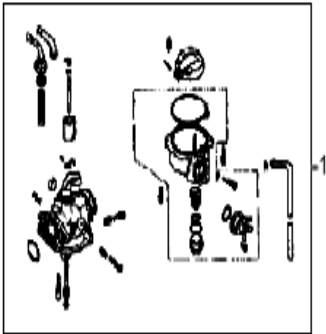


NO.	Component and Parts No.	English Name	Quantity
1	07.08.01.01	GEAR KICK STARTER	1
2	01.08.01.03	RATCHET KICK STARTER	1
3	07.08.01.07	SPINDLE KICK STARTER	1
4	01.08.01.06	RETAINER KICK SPRING	1
5	07.08.01.13	SPRING KICK STARTER RATCHET	1
6	07.08.01.05	SPRING KICK STARTER	1
7	01.08.01.09	WASHER 17mm	1
8	01.08.01.12	WASHER THRUST 20mm	1
9	01.08.01.11	CIR CLIP 20mm	2
10	01.08.01.08	CIR CLIP 16mm	1
11	GB5782-86	BOLT HEX 6x22	1
12	07.08.02.00	ARM KICK STARTER	1
13	07.08.02.03	RUBBER KICK STARTER	1



NO.	Component and Parts No.	English Name	Quantity
1	02.12.00.00	STARTING MOTOR ASSY	1





NO.	Component and Parts No.	English Name	Quantity
1	13200-Z1000-1	CARBURETOR (50CC)	1